

GENERAL APPLICATIONS

8000 LBS. CAPACITY



AXLE TYPES

8000 lbs. capacity

- Complete service manual
- Precision machined steel spindles and integral cast iron hub/drums
- Standard oil bath lubrication; grease or Nev-R-Lube™ option
- $\frac{9}{16}$ " or $\frac{5}{8}$ " press-in wheel studs
- Hydraulic brakes are available with and without parking feature
- Hydraulic brakes - uni-servo and duo-servo available
- Hydraulic disc brakes available
- $12\frac{1}{4}$ x $3\frac{3}{8}$ " self adjusting electric and hydraulic brakes
- Inner wiring system for easier installation and protection of brake wiring
- Heavy wall $3\frac{1}{2}$ " diameter tube
- Straight or Drop spindles (4" drop only)
- High quality alloy steel springs in different of capacities
- Single, tandem or triple axle assemblies with equalized suspensions

D80 LEAF SPRING



- Slipper leaf spring suspension
- Heavy duty suspension parts available
- Optional rubber bushed suspension
- Optional hanger and attaching parts kits available
- Durable, wear-resistant components
- 2 year limited warranty



- Totally rubber-cushioned for smooth, quiet independent ride
- Easy installation with less maintenance
- Less transfer of road shock which insulates cargo from road shocks and vibration
- Rubber cords compounded for maximum dependability and durability
- Load-carrying cross member
- Self-damping action
- Independent wheel suspension system
- 5 year limited warranty on suspension system
- Low profile for maximum road clearance
- Various starting angles to control trailer height
- High and low profile brackets with optional mounting brackets available

- Rubber cushioning eliminates metal-to-metal contact
- Shock absorption provided by the natural hysteresis of rubber
- Single or tandem axle assemblies
- Durable, wear-resistant components

CAUTION:

Triple axle assemblies are NOT recommended for Torflex® axles.



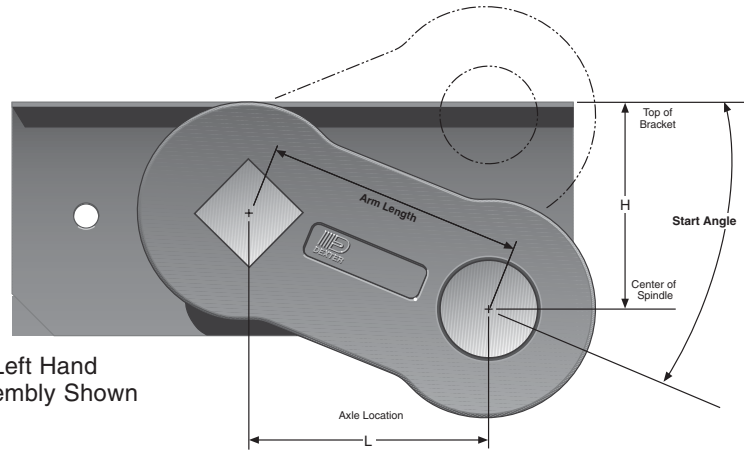
DEXTER AXLE

#13 Articulation Dimensions

Dimensions are for top mount only. Side mount is .31" higher. Allow 3" bump clearance from full load position.

Forward
←

Left Hand Assembly Shown



Start Angle	Bracket Profile	No Load		Full Load		Shock Load	
		H	L	H	L	H	L
45° down	Low	6.49	4.24	4.55	5.54	3.55	5.86
	High	7.18	4.24	5.24	5.54	4.24	5.86
22.5° down	Low	4.55	5.54	2.25	6.00	1.21	5.91
	High	5.24	5.54	2.94	6.00	1.90	5.91
10° down	Low	3.29	5.91	0.95	5.86	-0.05	5.54
	High	3.98	5.91	1.64	5.86	0.64	5.54
0°	Low	2.25	6.00	-0.05	5.54	-0.97	5.06
	High	2.94	6.00	0.64	5.54	-0.28	5.06
10° up	Low	1.21	5.91	-0.97	5.06	-1.80	4.42
	High	1.90	5.91	-0.28	5.06	-1.11	4.42
22.5° up	Low	-0.05	5.54	-1.99	4.24	-2.66	3.44
	High	0.64	5.54	-1.30	4.24	-1.97	3.44

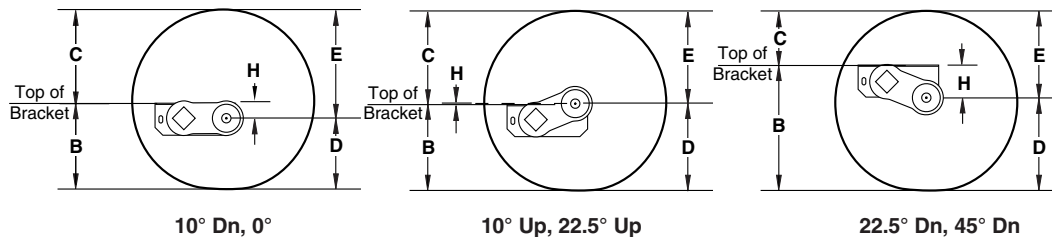
#13 OVERHANG PER SIDE

Spindle	Min.	Max.
Short	8.50"	21.50"
Standard	9.00"	21.50"

Note: Positive numbers in the H column indicate the spindle is BELOW the top of the bracket. Conversely, negative numbers are ABOVE the top of the bracket.

#13 Full Load Dimensions

Dimensions are for low profile, top mount only. High profile brackets are .75" higher. Side mount is .31" higher. Allow 3" bump clearance from full load.

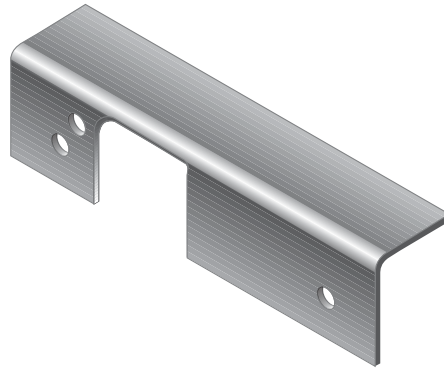
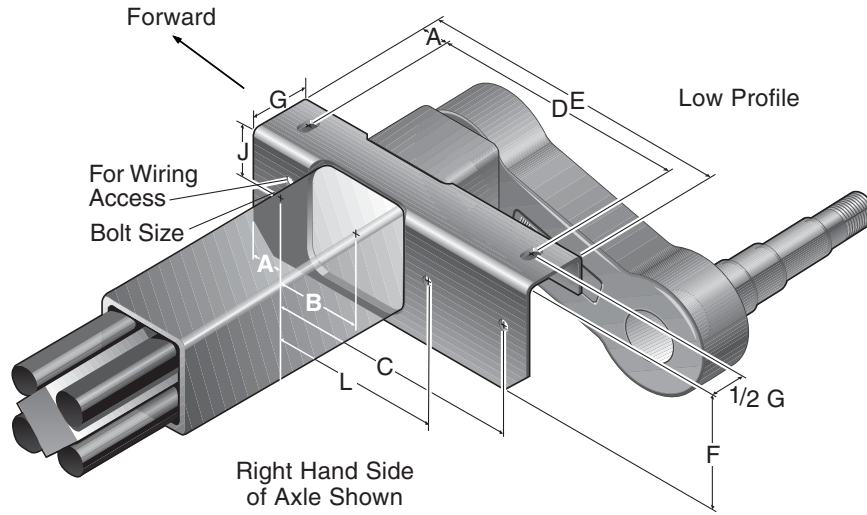


START ANGLE

Tire	45° Down			22.5° Down			10° Down			0°			10° Up			22.5° Up			D	E
	H	B	C	H	B	C	H	B	C	H	B	C	H	B	C	H	B	C		
10R17.5 HC	4.6	20.2	13.4	2.3	17.9	15.7	1.0	16.6	17.0	-0.1	15.5	18.1	-1.0	14.6	19.0	-2.0	13.6	20.0	15.6	18.0
215/75R 17.5	4.6	18.6	10.7	2.3	16.3	13.0	1.0	15.0	14.3	-0.1	13.9	15.4	-1.0	13.0	16.3	-2.0	12.0	17.3	14.0	15.3
12-16.5LT	4.6	19.5	11.2	2.3	17.2	13.5	1.0	15.9	14.8	-0.1	14.8	15.9	-1.0	13.9	16.8	-2.0	12.9	17.8	14.9	15.8
9.50-16.5LT	4.6	18.7	10.6	2.3	16.4	12.9	1.0	15.1	14.2	-0.1	14.0	15.3	-1.0	13.1	16.2	-2.0	12.1	17.2	14.1	15.2
9R 17.5 HC	4.6	20.0	12.5	2.3	17.7	14.8	1.0	16.4	16.1	-0.1	15.3	17.2	-1.0	14.4	18.1	-2.0	13.4	19.1	15.4	17.1

8000 LBS. CAPACITY

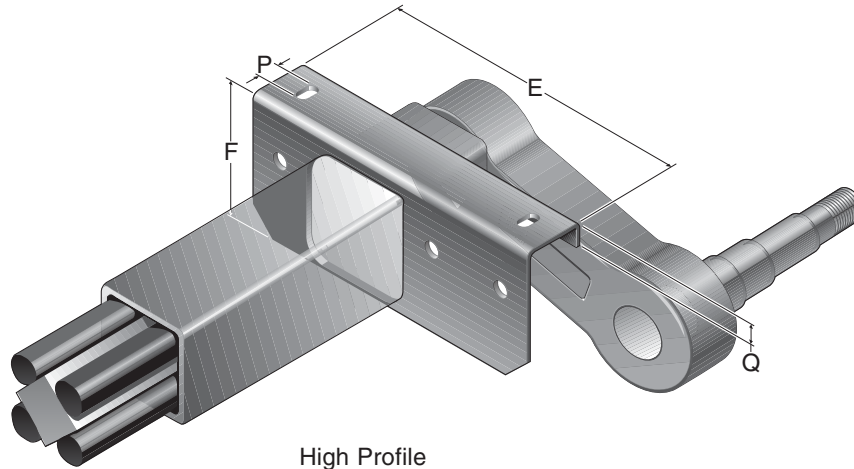
13 Bracket Dimensions



Side Mount Hanger

#13 BRACKET DIMENSIONS

	Low	High
A	1.22	1.22
B	3.63	3.63
C	10.56	10.56
D	10.56	10.56
E	13.00	13.00
F	4.81	5.50
G	2.50	2.50
J	2.25	2.25
L	7.26	7.26
P	----	1.00
Q	----	1.00
Bolt size ⁵ / ₈ " bolt		
Tube Size		
	3.88	3.88



High Profile

DEXTER AXLE

LEAF SPRING APPLICATION INFORMATION

8000 LBS. CAPACITY

SLIPPER SPRING AXLE ASSEMBLIES

Hanger Kits			Quantity Per Kit		
Part No.	Description	Ht.	HGR-138-00	HGR-238-00	HGR-338-00
028-009-01	Front Hanger	5.00	2	2	2
029-005-01	Center Hanger	4.50	----	2	4
030-006-01	Rear Hanger	6.38	2	2	2

Attaching Parts Kit		A/P-103-00	A/P-202-00 [§]	A/P-216-00 [‡]	A/P-302-00 [§]	A/P-316-00 [‡]
006-007-01	9/16-18 Locknut	2	4	4	6	6
006-011-00	Keeper Nut	2	4	4	6	6
006-111-00	Equalizer Nut	----	2	2	4	4
007-001-01	Equalizer Bolt	----	2	2	4	4
007-007-00	Keeper Bolt	2	4	4	6	6
007-017-00	Spring Eye Bolt	2	4	4	6	6
013-004-00	Equalizer	----	2	----	4	----
013-044-01	Equalizer	----	----	2	----	4

§ For 33.5" axle spacing

‡ For 36" axle spacing

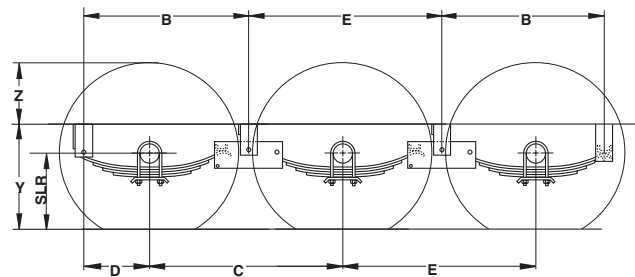
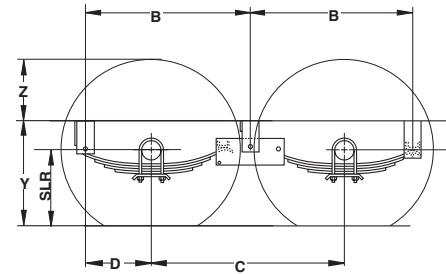
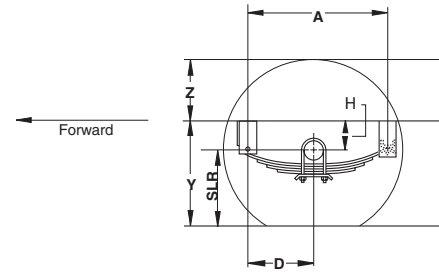
SLIPPER SPRINGS

	Single A/P-103-00	Tandem A/P-202-00 [§] A/P-216-00 [‡]	Triple A/P-302-00 [§] A/P-316-00 [‡]
A	24.0	----	----
B	----	28.8	30.4
C	----	33.5	36.0
D	11.5	11.5	11.5
E	----	----	33.0

Note: All 2" Wide Slipper Springs

A, B, E - Hanger Spacing
 C - Axle Spacing
 D - Axle Location
 H - Center of Spindle
 Y - Frame Height
 Z - Top of Tire to Bottom of Frame
 SLR - Static Load Radius
 Contact your local sales engineer or distributor to run ProSpec™ to determine Y, Z, SLR.

Some combinations of hangers and spring mounting may result in insufficient bump clearance. For additional Hanger kits, AP kits or other tires, refer to pages 85-87.



D80 OVERHANG PER SIDE

	Min.	Max.
Straight	8.00"	9.50"
4" Drop	9.00"	9.50"

Single axles

require 1 HAP-105-00 kit

Tandem axles

require 1 HAP-105-00 kit and 1 HAP-205-01 kits

Triple axles

require 1 HAP-105-00 kit and 2 HAP-205-01 kits

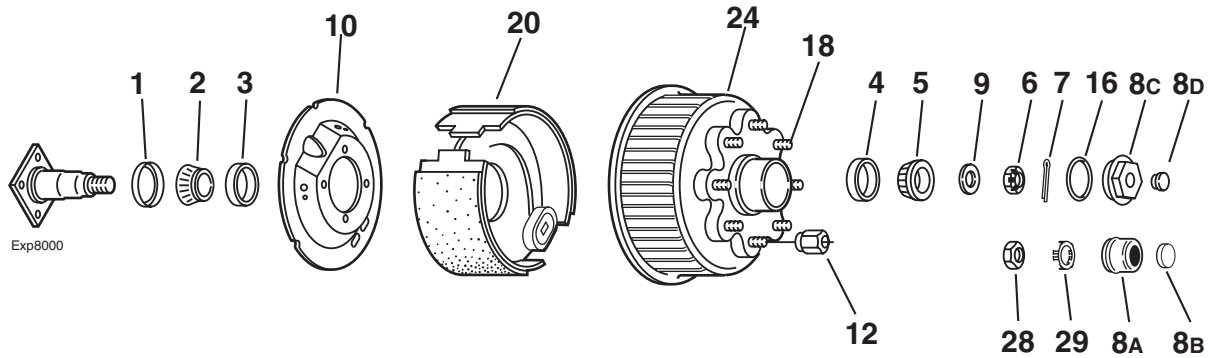
RUBBER BUSHED SUSPENSION

Part No.	Description	Ht.	HAP-105-00	HAP-205-01
028-068-02	Front Hanger	5.50"	2	----
029-039-04	Center Hanger	4.50"	----	2
030-068-02	Rear Hanger	4.85"	2	----
006-011-00	5/16-18 UNC Locknut		2	2
006-038-00	5/8-11 UNC Locknut		2	2
006-112-00	1-8 UNC Locknut		----	2
007-007-00	Keeper Bolt		2	2
007-181-00	Spring Eye Bolt		2	2
007-182-00	Equalizer Bolt		----	2
013-117-03	Equalizer		----	2
059-200-00	Decal		1	1
059-203-00	Instruction Sheet		1	1

DEXTER AXLE

865 HUB GROUP

8000 LBS. CAPACITY



OIL LUBE PARTS

Item	Part No.	Description
1	010-063-00	Seal (Unitized)
2	031-030-02	25580 Inner Bearing Cone
3	031-030-01	25520 Inner Bearing Cup
4	031-028-01	02420 Outer Bearing Cup
5	031-028-02	02475 Outer Bearing Cone
6	006-001-00	Spindle Nut
7	019-002-00	Cotter Pin
8C	021-035-00	Oil Cap
8D	046-032-00	Oil Cap Plug
9	005-057-00	Spindle Washer
ns	046-052-00	Oil Filler Plug (service part only)
16	010-045-00	'O' Ring

GREASE LUBE PARTS

Item	Part No.	Description
1	010-036-00	Seal
2	031-030-02	25580 Inner Bearing Cone
3	031-030-01	25520 Inner Bearing Cup
4	031-028-01	02420 Outer Bearing Cup
5	031-028-02	02475 Outer Bearing Cone
6	006-001-00	Spindle Nut
7	019-002-00	Cotter Pin (not for E-Z Lube®)
9	005-057-00	Spindle Washer
8A	021-043-01	Grease Cap E-Z Lube®
8B	085-001-00	E-Z Lube® Plug
ns	021-039-00	Grease Cap
28	006-191-00	Special Jam Nut for E-Z Lube® (after 2002)
29	006-190-00	Spindle Nut Retainer for E-Z Lube® (after 2002)

ABS COMPONENTS

Part No.	Description
097-004-00	Sensor, Straight
024-204-00	Sensor Block, Screw-In
097-002-00	Sensor Retainer Clip
024-205-01	Sensor Tone Ring

12¼ X 3⅜ BRAKES

Item	Part No.	Description
10	036-115-20	Dust Shield
10	036-115-24	Dust Shield for brakes w/park
20	K23-434-00/K23-435-00	LH/RH Electric Self-Adj.
ns	K23-432-00/K23-433-00	LH/RH Electric Manual Adj.
ns	K23-402-00/K23-403-00	LH/RH Hyd. Self-Adj. Duo-servo
ns	K23-171-00/K23-172-00	LH/RH Hyd. Self-Adj. DS w/park
ns	K23-418-00/K23-419-00	LH/RH Hyd. Uni-servo
ns	K23-252-00/K23-253-00	LH/RH Hyd. Uni-servo w/park
ns	K23-420-22/K23-421-00	LH/RH Self-Adj. DS Corr. Resistant
ns	K23-388-00/K23-387-00	LH/RH Hyd. Manual Adj. Duo-servo

HUBS

Item	Part No.	Description	Bolt Circle
<i>Hubs and Drums</i>			
24	008-285-08	Grease 5/8" studs	8 on 6.50
24	008-285-15	Grease 5/8" studs ABS	8 on 6.50
24	008-285-11	Grease 9/16" studs	8 on 6.50
24	008-285-13	Grease 9/16" studs ABS	8 on 6.50
24	008-285-10	Oil 5/8" studs	8 on 6.50
24	008-285-14	Oil 5/8" studs ABS	8 on 6.50
24	008-285-09	Oil 9/16" studs	8 on 6.50
24	008-285-12	Oil 9/16" studs ABS	8 on 6.50
<i>Plain Hub</i>			
ns	008-287-07	Grease 5/8" studs	8 on 6.50
ns	008-287-11	Grease 9/16" studs	8 on 6.50
ns	008-287-14	Oil 9/16" studs	8 on 6.50
ns	008-287-17	Oil 5/8" studs	8 on 6.50

STUDS & WHEEL NUTS

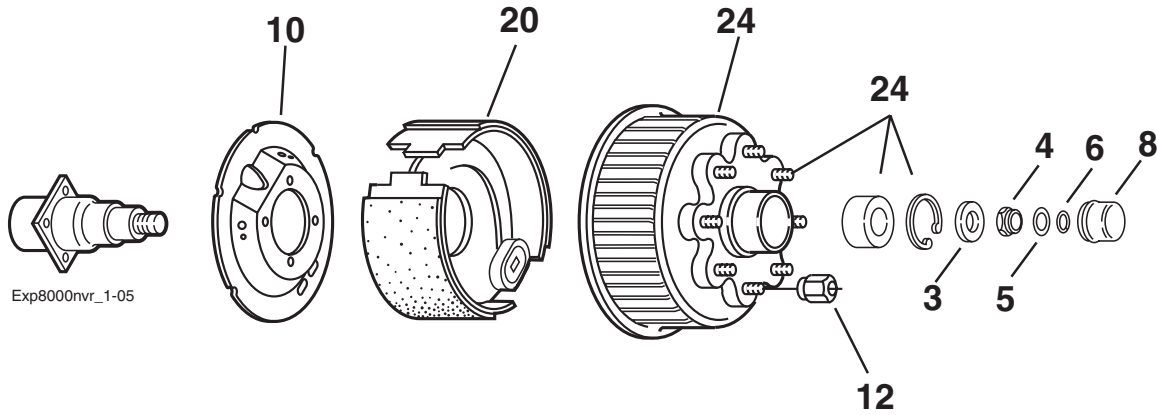
Item	Part No.	Description
12	006-053-00	9/16"-18 60° Cone Nut
12	006-109-00	5/8"-18 90° Cone Nut
18	007-132-00	9/16"-18 Press-in Stud
18	007-232-00	5/8"-18 Press-in Stud
ns	006-058-00	5/8"-18 Flange Nut

ns - not shown

DEXTER AXLE

865 NEV-R-LUBE™ HUB GROUP

8000 LBS. CAPACITY



NEV-R-LUBE™ PARTS 50MM

Item	Part No.	Description
3	005-149-00	Spindle Washer
4	006-183-00	Spindle Nut
5	092-002-00	Washer, Torque Label
6	069-096-00	Snap Ring
8	021-086-00	Grease Cap

12¼ X 3⅜ BRAKES

Item	Part No.	Description
10	036-115-20	Dust Shield
10	036-115-24	Dust Shield for brakes w/park
20	K23-434-00/K23-435-00	LH/RH Self-Adj. Electric Brake
ns	K23-402-00/K23-403-00	LH/RH Self-Adj. Hyd. Brake Duo-servo
ns	K23-171-00/K23-172-00	LH/RH Self-Adj. Hyd. Brake DS w/park
ns	K23-418-00/K23-419-00	LH/RH Hyd. Brake Uni-servo
ns	K23-252-00/K23-253-00	LH/RH Hyd. Brake Uni-servo w/ park

ABS HUBS - WITHOUT BEARING

Item	Part No.	Description	Bolt Circle
24	008-389-09	Grease 5/8" studs ABS	8 on 6.50
24	008-389-12	Grease 9/16" studs ABS	8 on 6.50

HUBS WITH BEARING & WHEEL STUDS

Item	Part No.	Description	Bolt Circle
24	008-389-81	Hub & Drum includes: 007-223-00 9/16" Press-in Studs 031-071-03 50 mm Bearing Cartridge 069-093-00 Bearing Retainer	8 on 6.50
ns	008-389-80	Hub & Drum includes: 007-224-00 5/8" Press-in Studs 031-071-03 50 mm Bearing Cartridge 069-093-00 Bearing Retainer	8 on 6.50

WHEEL NUTS

Item	Part No.	Description
12	006-053-00	9/16"-18 60° Cone Nut
ns	006-109-00	5/8"-18 90° Cone Nut

ABS COMPONENTS

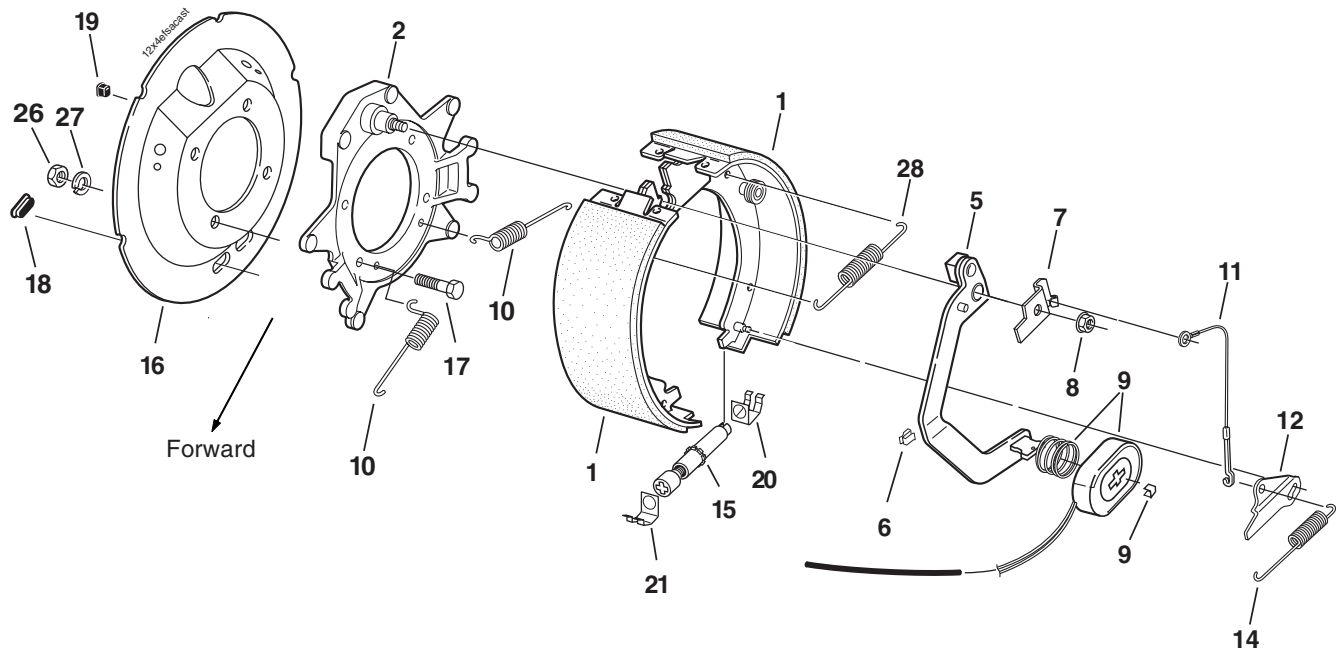
Part No.	Description
097-004-00	Sensor, Straight
024-204-00	Sensor Block, Screw-In
097-002-00	Sensor Retainer Clip

ns - not shown

DEXTER AXLE

12¹/₄ x 3³/₈" 8K ELECTRIC BRAKE FSA - CAST BACKING PLATE

8000 LBS. CAPACITY



ELECTRIC BRAKE

Item	Part No.	Qty/Brk	Description
0	K23-434-00	1	LH Complete Brake Assembly (shown)
0	K23-435-00	1	RH Complete Brake Assembly
1	K71-499-00	1	LH Shoe & Lining Kit containing: 1 #040-350-01 LH Prim. Shoe & Lining 1 #040-351-02 LH Sec. Shoe & Lining
1	K71-498-00	1	RH Shoe & Lining Kit containing: 1 #040-351-01 RH Prim. Shoe & Lining 1 #040-350-02 RH Sec. Shoe & Lining
2	036-119-02	1	Backing Plate Assembly
5	047-123-38	1	LH Actuating Arm Assembly
5	047-123-37	1	RH Actuating Arm Assembly
6	027-039-00	3	Wire Clips
7	071-455-01	1	LH Arm/Shoe Retainer
7	071-455-02	1	RH Arm/Shoe Retainer
8	006-092-01	1	Flange Nut
9	K71-375-00	1	Magnet Kit containing: 1 #042-127-00 Magnet 1 #027-050-00 Magnet Retainer Clip 1 #046-117-00 Magnet Spring
10	046-136-00	2	Centering Spring
11	071-462-00	1	Adjuster Cable
12	071-464-00	1	LH Adjuster Lever
12	071-463-00	1	RH Adjuster Lever
14	046-137-00	1	Adjuster Spring
15	048-019-00	1	LH Adjuster Assembly (silver)
15	048-020-00	1	RH Adjuster Assembly (gold)
*16	036-115-20	1	Dust Shield
*17	007-097-00	4	Brake Mounting Bolt
*18	046-007-00	2	Adjuster Slot Plug
*19	046-016-00	1	Wire Grommet
20	046-133-00	1	Adjuster Clip (barrel end)
21	046-132-00	1	Adjuster Clip (thread end)
*26	006-129-00	4	Brake Mounting Nut
*27	005-058-00	4	Lockwasher
28	046-119-00	1	Return Spring

**Brakes manufactured after
April 2000 use the
cast backing plate**

* Not included with complete brake assembly. Items sold separately.

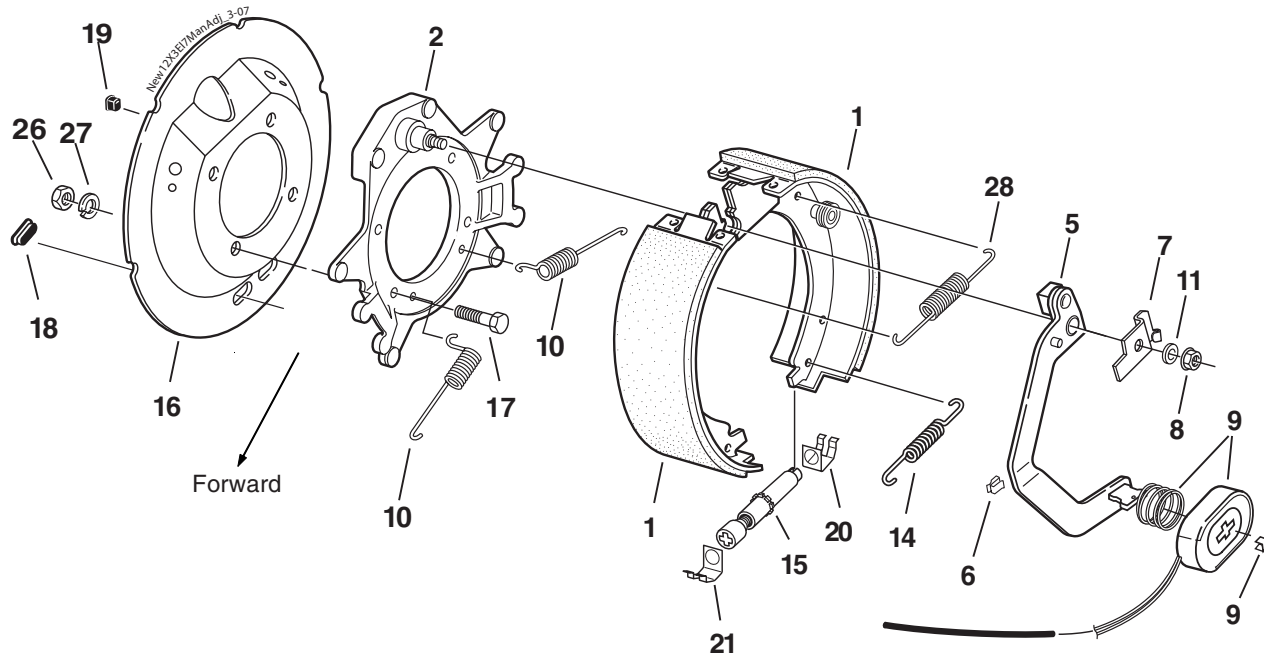
DEXTER AXLE

12¹/₄ x 3³/₈" 8K ELECTRIC BRAKE MANUAL ADJUST

CAST BACKING PLATE

CSA approved at 7000#/14.2 SLR

8000 LBS. CAPACITY



ELECTRIC BRAKE

Item	Part No.	Qty/Brk	Description
0	K23-432-00	1	LH Complete Brake Assembly (shown)
0	K23-433-00	1	RH Complete Brake Assembly
1	K71-499-00	1	LH Shoe & Lining Kit containing: 1 #040-350-01 LH Prim. Shoe & Lining 1 #040-351-03 LH Sec. Shoe & Lining
1	K71-498-00	1	RH Shoe & Lining Kit containing: 1 #040-351-01 RH Prim. Shoe & Lining 1 #040-350-03 RH Sec. Shoe & Lining
2	036-119-02	1	Backing Plate Assembly
5	047-123-18	1	LH Actuating Arm Assembly
5	047-123-17	1	RH Actuating Arm Assembly
6	027-039-00	3	Wire Clips
7	071-455-01	1	LH Arm/Shoe Retainer
7	071-455-02	1	RH Arm/Shoe Retainer
8	006-092-01	1	Flange Nut
9	K71-375-00	1	Magnet Kit containing: 1 #042-127-00 Magnet 1 #027-050-00 Magnet Retainer Clip 1 #046-117-00 Magnet Spring
10	046-136-00	2	Centering Spring
11	005-142-00	1	Washer
14	046-018-00	1	Adjuster Spring
15	048-017-00	1	Adjuster Assembly
*16	036-115-20	1	Dust Shield
*17	007-097-00	4	Brake Mounting Bolt
*18	046-007-00	2	Adjuster Slot Plug
*19	046-016-00	1	Wire Grommet
20	046-132-00	1	Adjuster Clip (thread end)
21	046-133-00	1	Adjuster Clip (barrel end)
*26	006-129-00	4	Brake Mounting Nut
*27	005-058-00	4	Lockwasher
28	046-119-00	1	Return Spring

* Not included with complete brake assembly. Items sold separately.

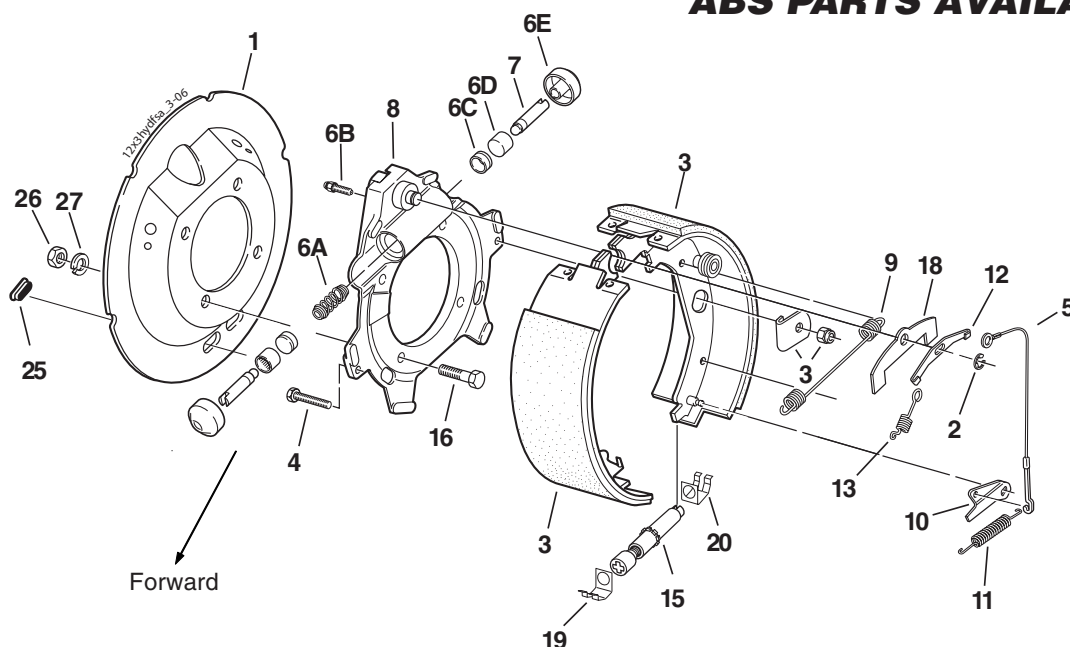
**Brakes manufactured after
April 2000 use the
cast backing plate**

DEXTER AXLE

12¹/₄ x 3³/₈" 8K HYDRAULIC BRAKE FSA

8000 LBS. CAPACITY

ABS PARTS AVAILABLE



HYDRAULIC BRAKE

Item	Part No.	Qty/Brk	Description
+0	K23-418-00	1	LH Complete Brake Assembly FSA US
+0	K23-419-00	1	RH Complete Brake Assembly FSA US
0	K23-402-00	1	LH Complete Brake Assembly FSA DS (shown)
0	K23-403-00	1	RH Complete Brake Assembly FSA DS
*1	036-115-20	1	Dust Shield
2	069-053-00	1	Retainer
3	K71-165-00	1	LH Shoe & Lining Kit containing: 1 #040-199-01 LH Prim. Shoe & Lining 1 #040-199-02 LH Sec. Shoe & Lining 2 #005-107-00 Shoe Hold Down Washer 2 #006-086-00 Locknut
3	K71-166-00	1	RH Shoe & Lining Kit containing: 1 #040-200-01 RH Prim. Shoe & Lining 1 #040-200-02 RH Sec. Shoe & Lining 2 #005-107-00 Shoe Hold Down Washer 2 #006-086-00 Locknut
4	007-113-00	2	Shoe Hold Down Screw
5	071-462-00	1	Adjuster Cable
6	K71-080-00	1	Wheel Cylinder Kit (1.00" Bore) containing: 1 #046-130-00 Spring (6A) 2 #054-032-00 Boot (6E) 2 #054-041-00 Piston (6D) 2 #054-085-00 Cup (6C) 1 #054-035-00 Bleeder Screw (6B)
7	054-033-00	1 or 2	Cylinder Push Rod US (1) DS (2)
8	036-064-06	1	LH Spider Assembly US (incl. items #4, 6, 7)
8	036-064-07	1	RH Spider Assembly US (incl. items #4, 6, 7)
8	036-064-03	1	Spider Assembly (incl. items #4, 6, 7) DS
9	046-087-00	1	Retractor Spring
10	071-464-00	1	LH Adjuster Lever
10	071-463-00	1	RH Adjuster Lever
11	046-135-00	1	LH Adjuster Spring
11	046-134-00	1	RH Adjuster Spring
12	071-456-00	1	Cable Attachment Bracket
13	046-131-01	1	Extension Spring
15	048-019-00	1	LH Adjuster Assembly
15	048-020-00	1	RH Adjuster Assembly
*16	007-097-00	4	Brake Mounting Bolt
18	034-062-00	1	Piston Stop
19	046-132-00	1	Adjuster clip (thread end)
20	046-133-00	1	Adjuster clip (barrel end)
*25	046-007-00	2	Adjuster Slot Plug
*26	006-129-00	4	Brake Mounting Nut
*27	005-058-00	4	Lockwasher

HYDRAULIC BRAKE - CORROSION RESISTANT DUO-SERVO ONLY

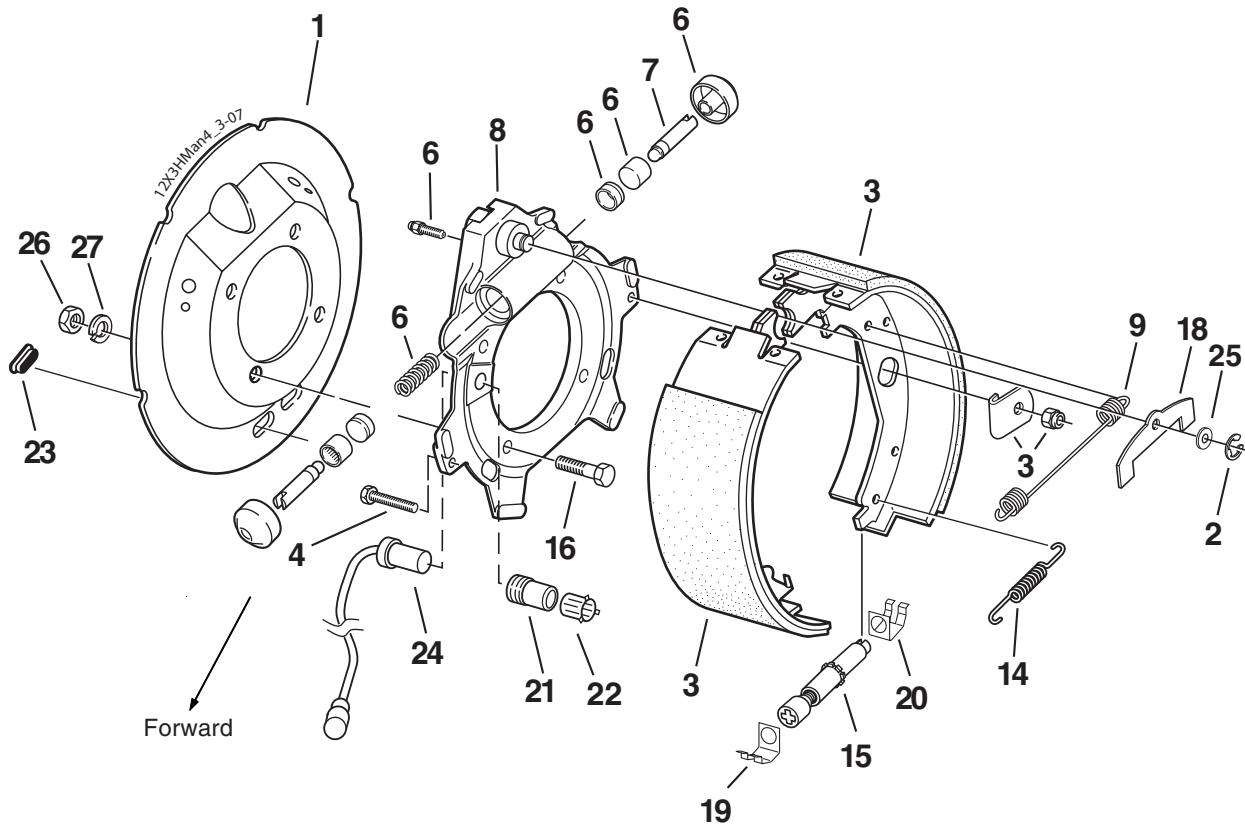
Item	Part No.	Qty/Brk	Description
0	K23-420-00	1	LH Complete Brake Assembly FSA
0	K23-421-00	1	RH Complete Brake Assembly FSA
*1	036-115-20	1	Dust Shield
2	069-053-00	1	Retainer
3	K71-437-00	1	LH Shoe & Lining Kit containing: 1 #040-199-05 LH Prim. Shoe & Lining 1 #040-199-06 LH Sec. Shoe & Lining 2 #005-107-02 Shoe Hold Down Washer 2 #006-086-00 Locknut
3	K71-438-00	1	RH Shoe & Lining Kit containing: 1 #040-200-05 RH Prim. Shoe & Lining 1 #040-200-06 RH Sec. Shoe & Lining 2 #005-107-02 Shoe Hold Down Washer 2 #006-086-00 Locknut
4	007-113-01	2	Shoe Hold Down Screw
5	071-462-00	1	Adjuster Cable
6A	046-130-00	1	Spring
6B	054-035-00	1	Bleeder Screw
6C	054-085-00	2	Cup
6D	054-083-00	2	Piston
6E	054-032-00	2	Boot
7	054-033-00	2	Cylinder Push Rod
8	036-064-14	1	Spider Assembly (incl. items #4, 6, 7) DS
9	046-087-01	1	Retractor Spring
10	071-464-00	1	LH Adjuster Lever
10	071-463-00	1	RH Adjuster Lever
11	046-135-01	1	LH Adjuster Spring
11	046-134-01	1	RH Adjuster Spring
12	071-456-00	1	Cable Attachment Bracket
13	046-131-02	1	Extension Spring
15	048-019-00	1	LH Adjuster Assembly
15	048-020-00	1	RH Adjuster Assembly
*16	007-097-00	4	Brake Mounting Bolt
18	034-062-02	1	Piston Stop
19	046-132-00	1	Adjuster Clip (thread end)
20	046-133-00	1	Adjuster Clip (barrel end)
*26	006-129-00	4	Brake Mounting Nut
*25	046-007-00	2	Adjuster Slot Plug
*27	005-058-00	4	Lockwasher

* Not included with complete brake assembly. Items sold separately.
+ Uni-servo version not shown.

DEXTER AXLE

12¹/₄ x 3³/₈" 8K HYDRAULIC BRAKE MANUAL ADJUST

SHOWN WITH ABS PARTS



8000 LBS. CAPACITY

HYDRAULIC BRAKE

Item	Part No.	Qty/Brk	Description
0	K23-388-00	1	LH Complete Brake Assembly DS (shown)
0	K23-387-00	1	RH Complete Brake Assembly DS
*1	036-115-20	1	Dust Shield
2	069-053-00	1	Retainer
3	K71-165-00	1	LH Shoe & Lining Kit containing: 1 #040-199-01 LH Prim. Shoe & Lining 1 #040-199-02 LH Sec. Shoe & Lining 2 #005-107-00 Shoe Hold Down Washer 2 #006-086-00 Locknut
3	K71-166-00	1	RH Shoe & Lining Kit containing: 1 #040-200-01 RH Prim. Shoe & Lining 1 #040-200-02 RH Sec. Shoe & Lining 2 #005-107-00 Shoe Hold Down Washer 2 #006-086-00 Locknut
4	007-113-00	2	Shoe Hold Down Screw
6	K71-080-00	1	Wheel Cylinder Kit (1.00" Bore) containing: 1 #046-130-00 Spring 2 #054-032-00 Boot 2 #054-041-00 Piston 2 #054-085-00 Cup 1 #054-035-00 Bleeder Screw
7	054-033-00	2	Cylinder Push Rod
8	036-064-03	1	Spider Assembly (incl. items #4, 6, 7)
9	046-087-00	1	Retractor Spring
14	046-018-00	1	Adjuster Spring
15	048-017-00	1	Adjuster Assembly
*16	007-097-00	4	Brake Mounting Bolt

* Not included with complete brake assembly. Items sold separately.

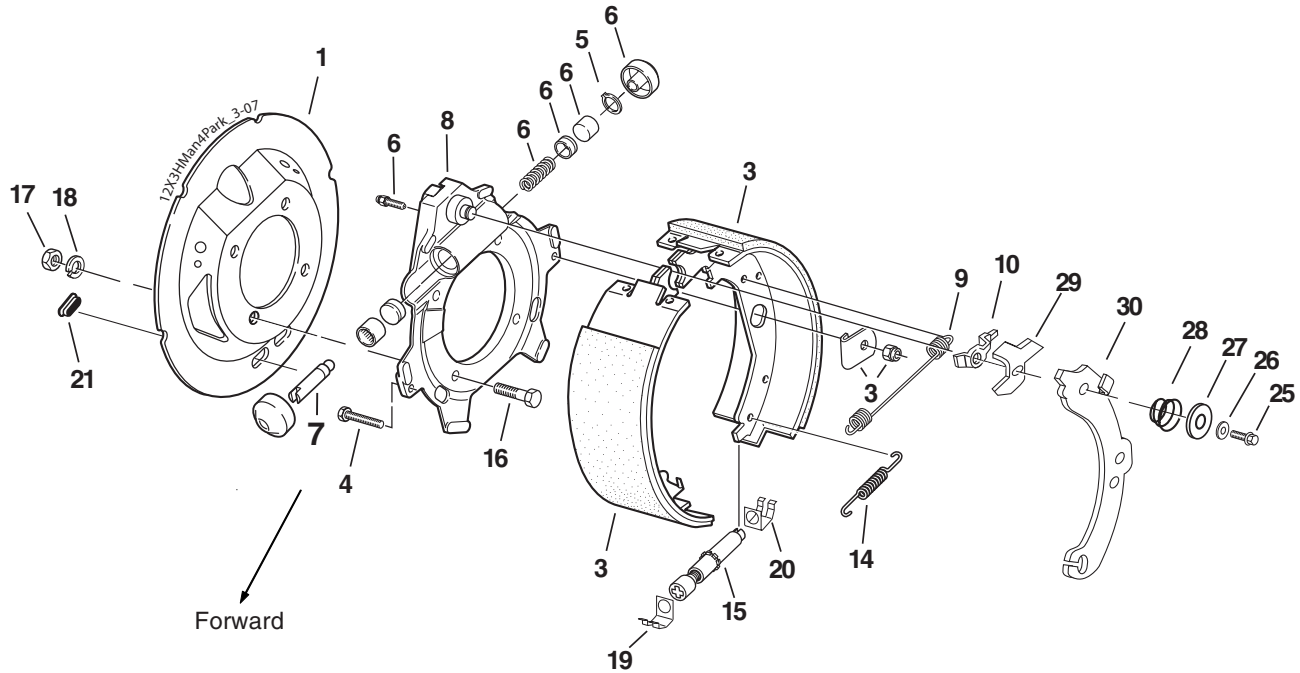
HYDRAULIC BRAKE

Item	Part No.	Qty/Brk	Description
18	034-062-00	1	Piston Stop
19	046-132-00	1	Adjuster Clip (thread end)
20	046-133-00	1	Adjuster Clip (barrel end)
*21	024-204-00	1	ABS Sensor Mounting Block
*22	097-002-00	1	ABS Sensor Retaining Clip
*23	046-007-00	2	Adjuster Slot Plug
*24	097-004-00	1	ABS Sensor (straight)
25	005-142-00	1	Washer
*26	006-129-00	4	Brake Mounting Nut
*27	005-058-00	4	Lockwasher

DEXTER AXLE

12¹/₄ x 3³/₈" 8K HYDRAULIC BRAKE UNI-SERVO WITH PARKING FEATURE (MANUAL ADJUST)

8000 LBS. CAPACITY



Note: Uni-servo brakes to be used with surge actuator

HYDRAULIC BRAKE

Item	Part No.	Qty/Brk	Description
0	K23-252-00	1	LH Complete Brake Assembly, US w/park (shown)
0	K23-253-00	1	RH Complete Brake Assembly, US w/park
*1	036-115-24	1	Dust Shield
3	K71-165-00	1	LH Shoe & Lining Kit containing: 1 #040-199-01 LH Prim. Shoe & Lining 1 #040-199-07 LH Sec. Shoe & Lining 2 #005-107-00 Shoe Hold Down Washer 2 #006-086-00 Locknut
3	K71-166-00	1	RH Shoe & Lining Kit containing: 1 #040-200-01 RH Prim. Shoe & Lining 1 #040-200-02 RH Sec. Shoe & Lining 2 #005-107-02 Shoe Hold Down Washer 2 #006-086-00 Locknut
4	007-113-00	2	Shoe Hold Down Screw
5	069-040-00	1	Snap Ring
6	K71-080-00	1	Wheel Cylinder Kit (1.00" Bore) containing: 1 #046-130-00 Spring 2 #054-032-00 Boot 2 #054-041-00 Piston 2 #054-085-00 Cup 1 #054-035-00 Bleeder Screw
7	054-033-00	1	Cylinder Push Rod-US
8	036-064-08	1	LH Spider Assembly (incl. items #4,5,6,7) US
8	036-064-09	1	RH Spider Assembly (incl. items #4,5,6,7) US
9	046-087-00	1	Retractor Spring

* Not included with complete brake assembly. Items sold separately.

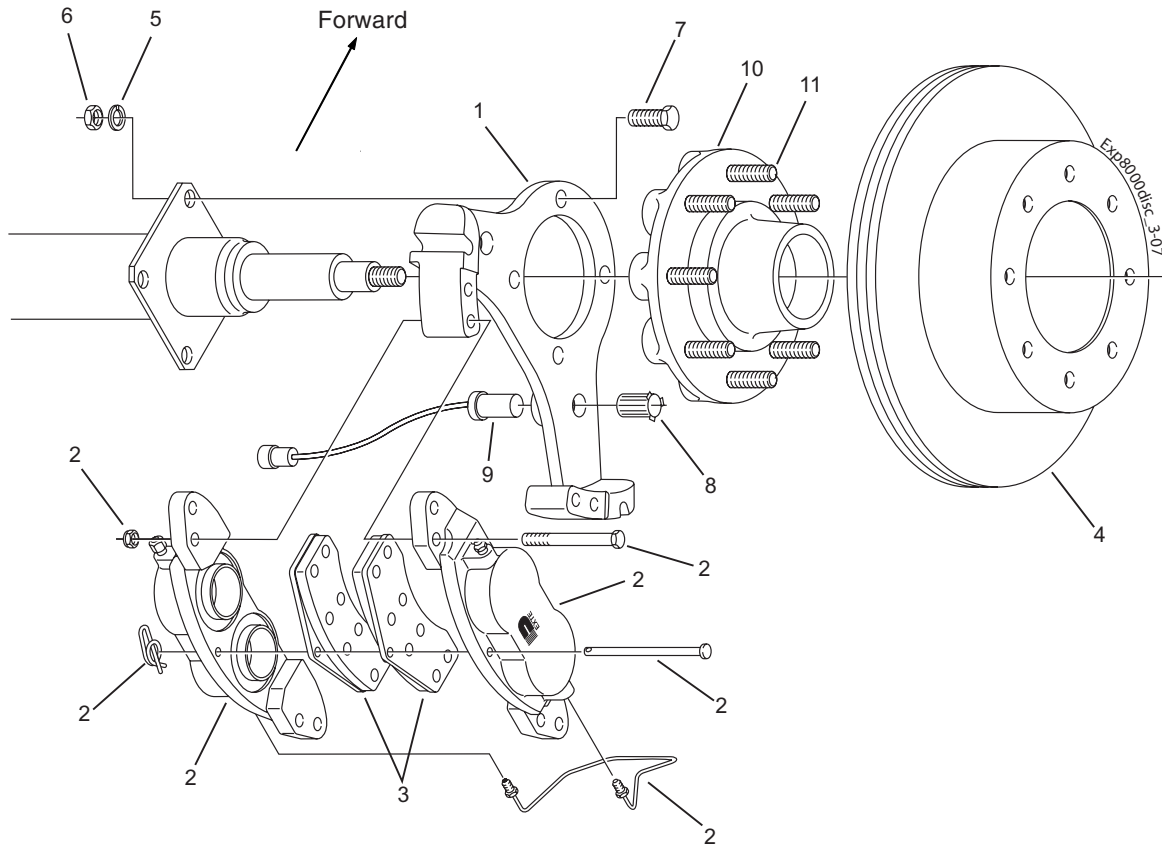
HYDRAULIC BRAKE

Item	Part No.	Qty/Brk	Description
10	033-083-00	1	Spacer
14	046-018-00	1	Adjuster Spring
15	048-017-00	1	Adjuster Assembly
*16	007-097-00	4	Brake Mounting Bolt
*17	006-129-00	4	Brake Mounting Nut
*18	005-058-00	4	Lockwasher
19	046-132-00	1	Adjuster Clip (Thread End)
20	046-133-00	1	Adjuster Clip (Barrel End)
*21	046-007-00	2	Adjuster Slot Plug
25	007-096-00	1	Holddown Lever Bolt
26	005-143-00	1	Star Washer
27	005-065-00	1	Holddown Lever Washer
28	046-091-00	1	Holddown Lever Spring
29	039-055-00	1	Parking Cam LH
29	039-056-00	1	Parking Cam RH
30	047-089-00	1	Parking Lever LH
30	047-090-00	1	Parking Lever RH
ns	071-512-00	1	Parking Cable

ns - not shown

DEXTER AXLE

DISC BRAKE FOR 8,000 LB. AXLES



DISC BRAKE 8000#

Item	Part No.	Qty/Brk	Description
1	090-003-01	1	Anchor Yoke
2	K71-630-00	1	Caliper Assembly Kit for LH or RH includes: 2 089-003-02 Assembled Caliper Half 1 054-092-00 Bleeder Screw 1 054-094-00 Adapter Fitting 4 007-254-00 Caliper Mounting Bolt 1 056-038-00 Pad Retaining Pin 4 006-045-00 Caliper Mounting Nut 1 019-019-00 Cotter Ring 1 071-513-00 Cross Over Hydraulic Line (yokes without notch) 1 071-518-00 Cross Over Hydraulic Line (yokes with notch)
3	K71-629-00	1	Brake Pad Kit (axle set)
4	K71-631-00	1	Rotor Kit
5	005-058-00	4	1/2" Lock Washer
6	006-129-01	4	1/2" Hex Nut
7	007-097-00	4	1/2" Brake Mounting Bolt
8	097-002-00	1	ABS Sensor Retaining Clip
9	097-004-00	1	ABS Sensor (straight)

DISC BRAKE HUBS & STUDS

Item	Part No.	Qty/Brk	Description
10	008-399-05	1	Grease 9/16" Studs 8 on 6.50
10	008-399-06	1	Oil 9/16" Studs 8 on 6.50
10	008-399-07	1	Grease 5/8" Studs 8 on 6.50
10	008-399-08	1	Oil 5/8" Studs 8 on 6.50
11	007-257-00	8	9/16"-18 x 2.50" Press-in Stud
11	007-115-00	8	5/8"-18 x 3.16" Press-in Stud

DISC BRAKE 8000# WITH 50MM NEV-R-LUBE™

Item	Part No.	Qty/Brk	Description
1	090-007-01	1	Anchor Yoke
2	K71-630-00	1	Caliper Assembly Kit for LH or RH includes: 2 089-003-02 Assembled Caliper Half 1 054-092-00 Bleeder Screw 1 054-094-00 Adapter Fitting 4 007-254-00 Caliper Mounting Bolt 1 056-038-00 Pad Retaining Pin 4 006-045-00 Caliper Mounting Nut 1 019-019-00 Cotter Ring 1 071-513-00 Cross Over Hydraulic Line (yokes without notch) 1 071-518-00 Cross Over Hydraulic Line (yokes with notch)
3	K71-629-00	1	Brake Pad Kit (axle set)
4	K71-631-00	1	Rotor Kit
5	005-058-00	4	1/2" Lock Washer
6	006-129-01	4	1/2" Hex Nut
7	007-097-00	4	1/2" Brake Mounting Bolt
8	097-002-00	1	ABS Sensor Retaining Clip
9	097-004-00	1	ABS Sensor (straight)

NEV-R-LUBE™ DISC BRAKE HUBS

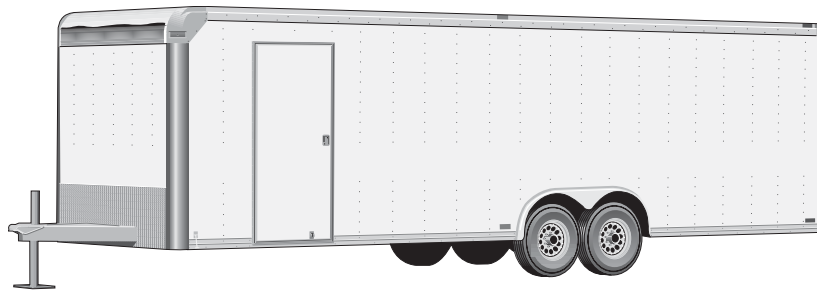
Item	Part No.	Qty/Brk	Description
10	008-402-80	1	9/16" Studs, 50mm 8 on 6.50
10	008-402-81	1	5/8" Studs, 50mm 8 on 6.50
11	007-257-00	8	9/16"-18 x 2.50" Press-in Stud
11	007-115-00	8	5/8"-18 x 3.16" Press-in Stud

8000 LBS. CAPACITY

DEXTER AXLE

AIRFLEX™ LIGHT TRAILER SUSPENSION SYSTEM

8000 LBS. CAPACITY



- Suspension and axle come fully assembled for easy installation
- The suspension maintains a constant trailer floor height regardless of cargo weight
- The suspension isolates the cargo from road shock using air springs and Torflex® technology
- Designed for 6,000 to 8,000 lb. axle capacities
- Adjustable axle seats provided to align axle
- Bolt-on side mount brackets come standard
- Air control kits are available
- Straight, 4" drop, or Nev-R-Lube™ spindle options are available
- Electric drum, hydraulic drum, and hydraulic disc brakes options are available
- 2 year limited warranty on axle and suspension

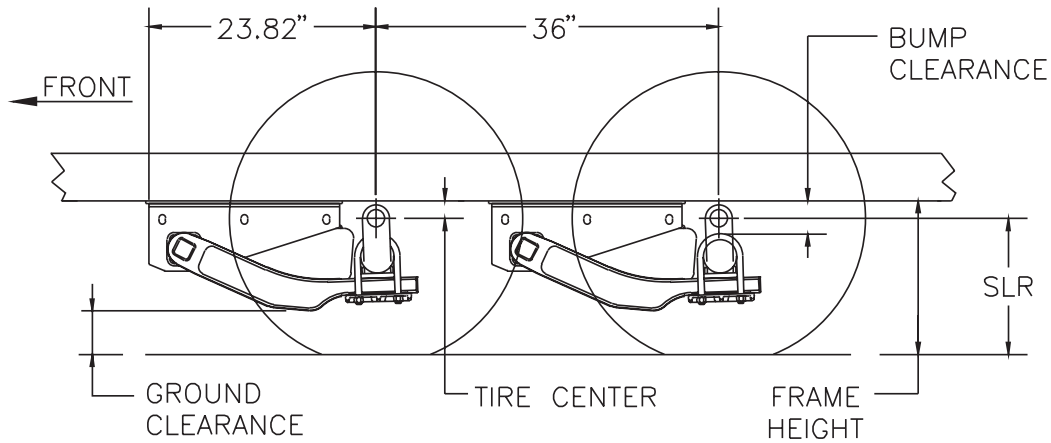


DEXTER AXLE

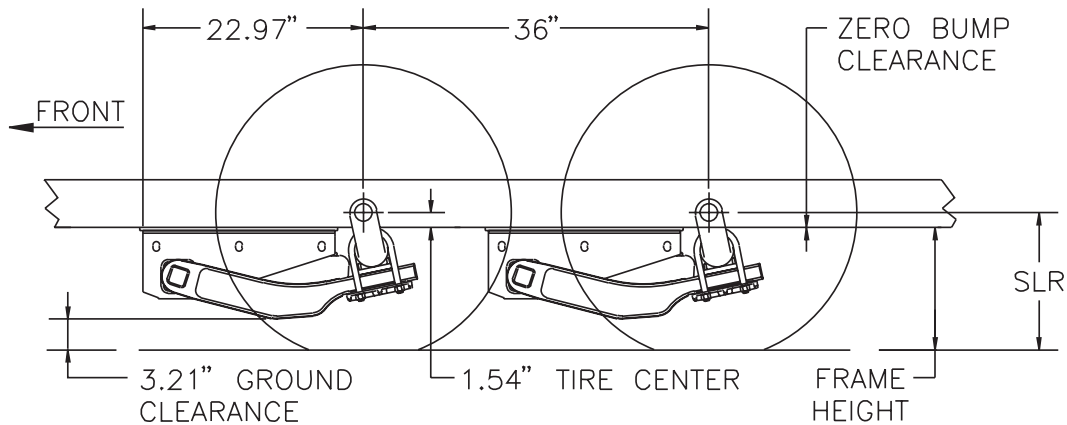
AIRFLEX™ APPLICATION INFORMATION

8000 LBS. CAPACITY

SYSTEM AIR BAGS INFLATED



SYSTEM AIR BAGS DEFLATED



SUSPENSION DIMENSIONS

	LT235/85R16 Tire	215/75R17.5HC Tire
Frame Height		
4" drop spindle	16.28"	15.98"
With bags deflated	12.78"	12.48"
Tire Center		
4" drop spindle	1.88"	1.88"
Ground Clearance		
4" drop spindle	4.68"	4.38"
Static Bump Clearance		
4" drop spindle	3.5"	3.5"

All dimensions are with axle loaded to capacity and air bags inflated

For straight spindles add 4" to frame height, tire center, and ground clearance dimensions

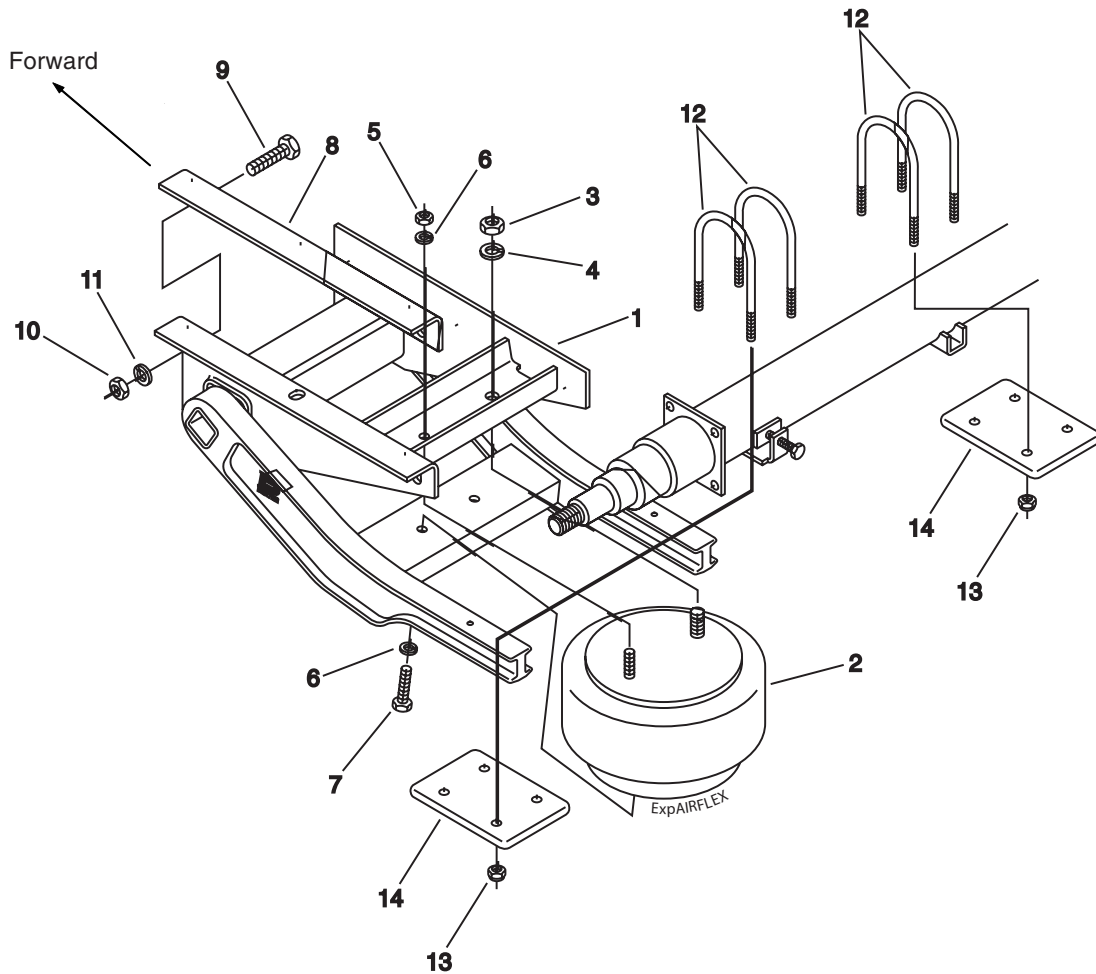
DIFFERENCE BETWEEN HUB FACE AND OUTSIDE MOUNTING BRACKETS

Axle Type	Minimum	Recommended	Maximum
D80 Straight	14.00"	15.50"	17.00"
D80 Drop	16.00"	16.00"	17.00"

DEXTER AXLE

AIRFLEX™ FOR 8,000 LB. AXLES

8000 LBS. CAPACITY



AIRFLEX™ SUSPENSION COMPONENTS 8000#

Item	Part No.	Qty/Axle	Description
1	003-272-00	1	LH Suspension Assembly (incl. items #2-11) (shown)
1	003-273-00	1	RH Suspension Assembly (incl. items #2-11)
Air Spring & Mounting Hardware			
2	034-279-00	2	Air Spring
3	006-122-01	2	3/4"-16 Jam Nut
4	005-143-00	2	3/4" Lock Washer
5	006-116-00	2	1/2"-13 Hex Nut
6	005-058-00	6	1/2" Lock Washer
7	007-259-00	4	1/2"-13 Hex Bolt
Suspension Mounting Hardware			
8	003-261-00	2	Side Mount Bracket
9	007-177-00	6	5/8" Mounting Bolt
10	006-126-00	6	5/8" Lock Nut
11	005-111-00	6	5/8" Washer
Axle Attaching Hardware			
12	011-089-01	8	5/8" U-Bolt
13	006-038-00	16	5/8" Lock Nut
14	012-060-02	4	Tie Plate
Air Supply Kits			
ns	K71-632-01	-	Tandem Plumbing Kit with Ride Height Control Valve
ns	K71-632-02	-	Air Generation Kit (includes compressor and tank)
ns	K71-632-03	-	Manual Dump Valve Kit
ns	K71-632-04	-	Tri-Axle Conversion Plumbing Kit

ns - not shown

DEXTER AXLE